

DISPLAY 50944

SPECIFICATIONS

| | |
|--------------|-----------------|
| Assist | 5 steps |
| Battery | 5 levels |
| Light on/off | Yes |
| Walk-assist | Yes |
| Protocol | V1 |
| Plug | IP 66 |
| Color LED | Blue |
| Position | Left |

ADDITIONAL DATA

| | |
|---------------|--------------|
| Rated voltage | 36/48 |
| Weight (g) | 70 |

MOUNTING PARAMETERS

| | |
|-------------------|---------------|
| Handlebar (mm) | Ø21 |
| Cable length (mm) | 750 mm |
| Connector | V1 |

INDICATION INFORMATION

| | |
|---------------------|--------------------|
| Display type | LED |
| Capacity indication | Yes |
| Walk assist | No |
| Backlight | Yes |
| Error indication | Error codes |

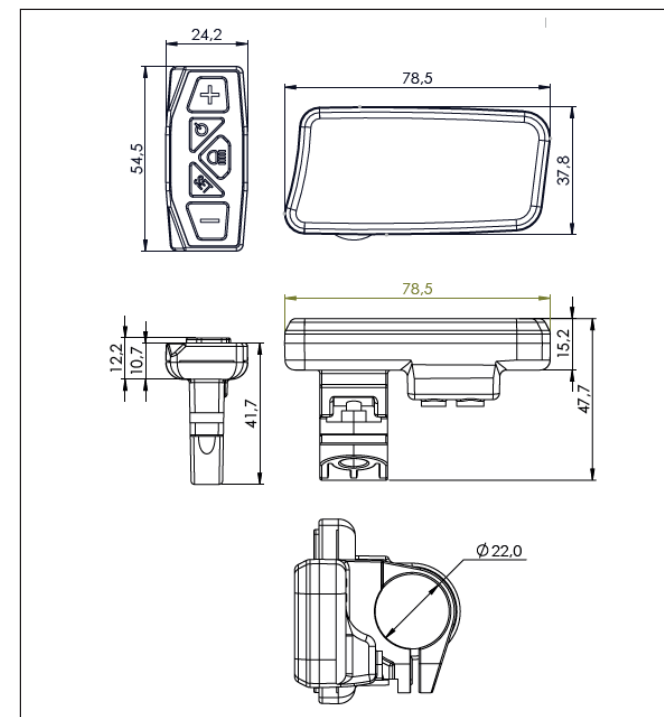
INTERFACE

| | |
|----------|------------|
| Buttons | 5 |
| Throttle | Yes |

TESTS & CERTIFICATIONS

| | |
|----------------|-------------------------------------|
| IP | IP 65 |
| Certifications | CE / EN 15194 / REACH / ROHS |

DIMENSIONS



Promovec A/S
Langdyssen 6
DK-8200 Aarhus N

TEL. +45 7027 2623
FAX. +45 7027 2429
MAIL info@promovec.dk

Promovec® 
the e-bike solution