

DISPLAY 50943

SPECIFICATIONS

Battery	5 steps
Light on/off	4 levels
Walk-assist	Yes
Protocol	Yes
Plug	V1
Color backlight	IP 66
Position	Blue
Wheel size	Left
Wheel size	Adjustable

ADDITIONAL DATA

Rated voltage	36/48
Weight (g)	70

MOUNTING PARAMETERS

Handlebar (mm)	Ø21
Cable length (mm)	750 mm
Connector	V1

INDICATION INFORMATION

Display type	LCD
Capacity indication	Yes
Walk assist	Yes
Backlight	Yes
Error indication	Error codes
Km/MPH	Yes

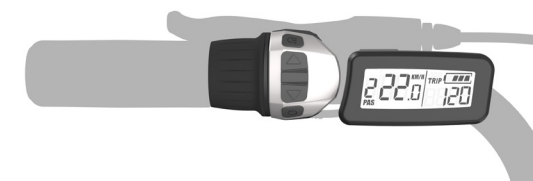
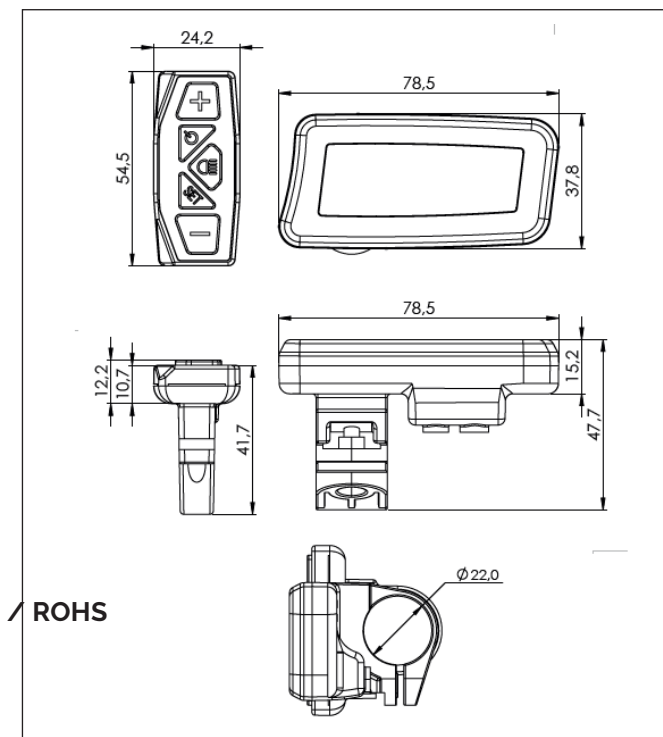
INTERFACE

Buttons	5
Throttle	Yes

TESTS & CERTIFICATIONS

IP	IP 65
Certifications	CE / EN 15194 / REACH / ROHS

DIMENSIONS



Promovec A/S
Langdyssen 6
DK-8200 Aarhus N

TEL. +45 7027 2623
FAX. +45 7027 2429
MAIL info@promovec.dk

Promovec® 
the e-bike solution