

BY PROMOVEC

REAR MOTOR - 50750-BL

SPECIFICATIONS

Position	Rear
Freewheel	Yes
Rated voltage	36 V
Rated power	250 W/350W (US/CAN)
Max. support bike speed	25-32 km/h
Max torque	43 Nm
Efficiency	Min. 80 %
Walk assist function	Yes
Color	Black/silver
Weight	3,9 kg
Operation temperature	Max. 120°
Max RPM	250 RPM
Wheel speed sensor	Integrated
Type	BLDC w. hall sensor

FUNCTION

Compatible brake type	Disc / V-brake
-----------------------	----------------

TESTS & CERTIFICATIONS

IP classification	IP54
Certifications	CE / EN 15194 / ROHS

MOUNTING PARAMETERS

Fork width	138 mm
Axle diameter	Ø12 mm
Slot width	10 mm

CABLES & CONNECTOR

Cable length	220 mm
Total cable length	IP66 Plug

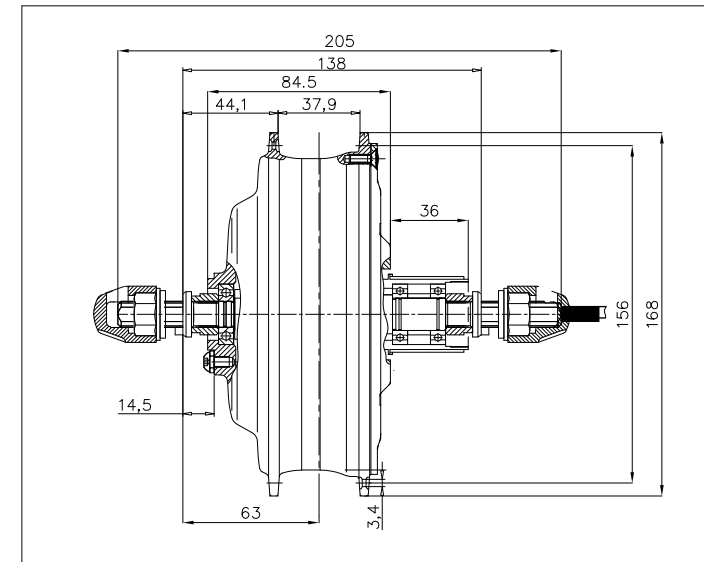
SPOKE SPECIFICATIONS

Flange width	38 mm
Spoke hole center-center	156 mm
Spoke hole diameter	Ø3,4 mm

FURTHER SPECIFICATIONS

Compatible Wheel Size	26"-29"
Rear sprocket	Cassette Shimano 8, 9, 10 speed

DIMENSIONS



Promovec A/S
Langdyssen 6
DK-8200 Aarhus N

TEL. +45 7027 2623
FAX. +45 7027 2429
MAIL info@promovec.dk

Promovec® 
the e-bike solution