

BY PROMOVEC

# REAR MOTOR - 50971-BL

## SPECIFICATIONS

Position	Rear
Freewheel	Yes
Rated voltage	36 V
Rated power	250 W
Max. support bike speed	25 km/h
Max torque	43 Nm
Efficiency	Min. 80 %
Walk assist function	Yes
Color	Black/silver
Weight	2,2 kg
Operation temperature	Max. 120°
Wire	IP66 Plug
Max RPM	250 RPM
Wheel speed sensor	Integrated
Type	BLDC w. hall sensor

## FUNCTION

Compatible brake type	Disc / V-brake
-----------------------	----------------

## TESTS & CERTIFICATIONS

IP classification	IP54
Certifications	CE / EN 15194 / ROHS

## MOUNTING PARAMETERS

Fork width	135 mm
Axle diameter	Ø12 mm
Slot width	10 mm

## CABLES & CONNECTOR

Cable length	220 mm
Total cable length	IP66 Plug

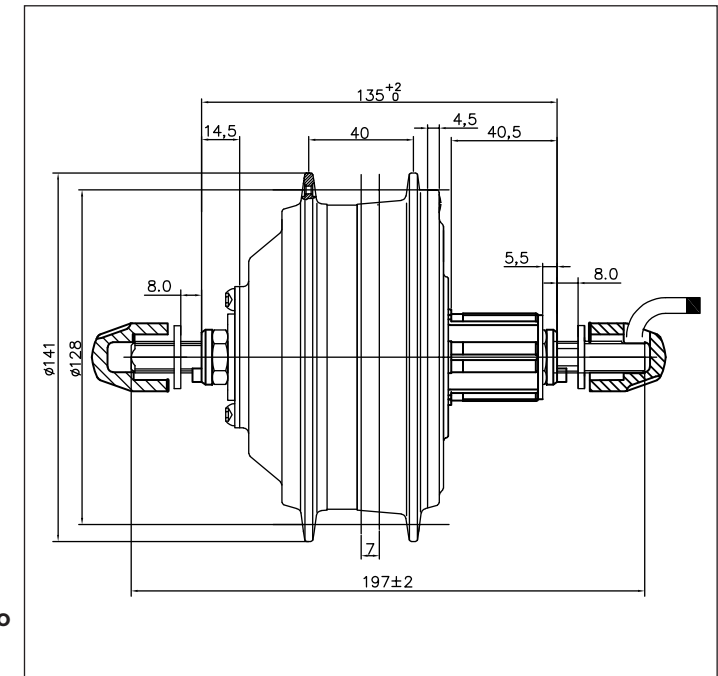
## SPOKE SPECIFICATIONS

Flange width	36,2 mm
Spoke hole center-center	121 mm
Spoke hole diameter	Ø3,2 mm

## FURTHER SPECIFICATIONS

Compatible Wheel Size	26"-29"
Rear sprocket	Cassette Shimano 8, 9, 10 speed

## DIMENSIONS



Promovec A/S  
Langdyssen 6  
DK-8200 Aarhus N

TEL. +45 7027 2623  
FAX. +45 7027 2429  
MAIL info@promovec.dk

Promovec®   
the e-bike solution