

CARRIER 4 BATTERY

SPECIFICATIONS

Rated voltage	36 V
Com. Protocol	UART
BMS	Smart BMS
Voltage scope (V)	31 - 42V
Charge mode	CC-CV (3 pin Promovec charger)
Operation temperature charge	0°C - 45°C
Rear light	Yes

MOUNTING PARAMETER

Position	Carrier
Weight (kg)	2,3 - 4,0
Controller position	Carrier / center
Carrier	Optional
Charger	3 pin Promovec charger

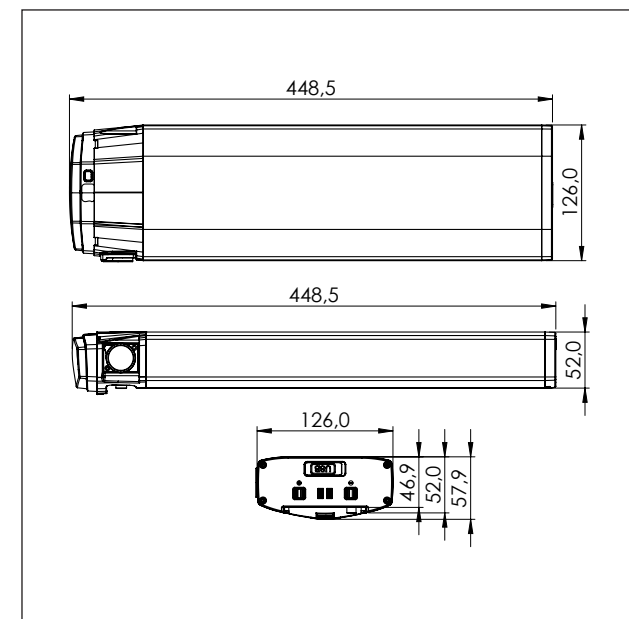
BATTERY OPTIONS

Part No.	Name	Capacity
50639-BL	CAR4	6,6Ah, 36V, 237,6Wh
50640-BL	CAR4	11,0Ah, 36V, 396Wh
50641-BL	CAR4	13,2Ah, 36V, 475Wh
50642-BL	CAR4	15,6Ah, 36V, 561Wh

TESTS & CERTIFICATIONS

IP	IP 65
Certifications	CE / EN 15194/ ROHS / REACH UN 38,3, MSDS

DIMENSIONS



Promovec A/S
Langdyssen 6
DK-8200 Aarhus N

TEL. +45 7027 2623
FAX. +45 7027 2429
MAIL info@promovec.dk

Promovec® 
the e-bike solution