

BY PROMOVEC

CARRIER 6/2-XL BATTERY

SPECIFICATIONS

Rated voltage	36/48 V
Com. Protocol	UART
BMS	Smart BMS
Voltage scope 36V versions (V)	31 - 42V
Voltage scope 48V version (V)	41 - 54V
Charge mode	CC-CV (3 pin Promovec charger)
Operation temperature charge	0°C - 45°C
Backlight	Yes

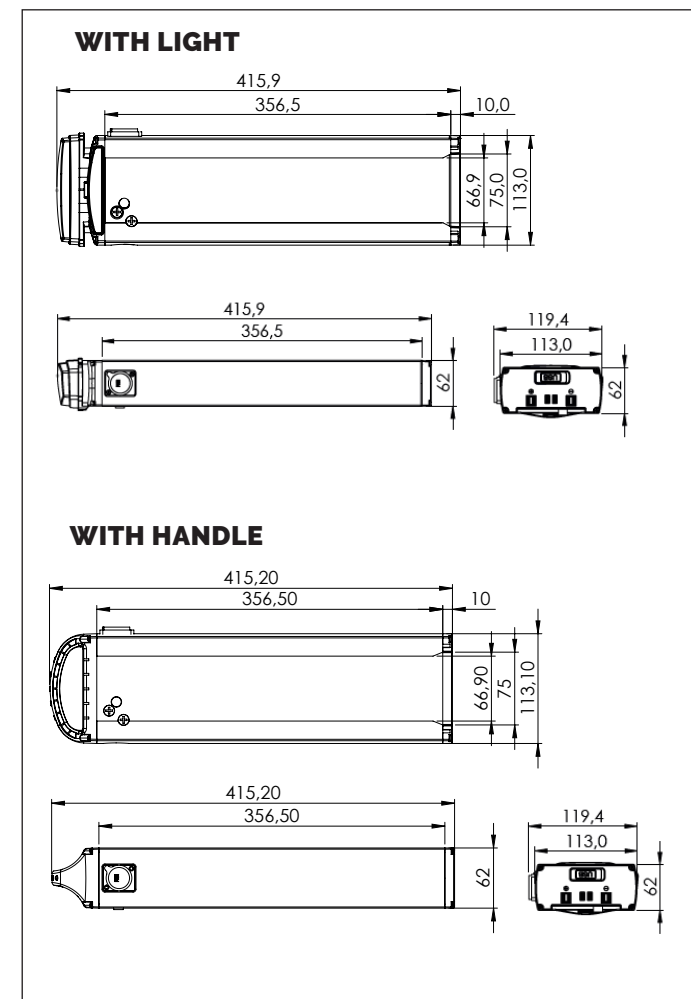
MOUNTING PARAMETER

Position	Carrier
Weight (kg)	2,6 - 4
Controller position	Carrier / center
Carrier	Optional
Charger	3 pin Promovec charger

TESTS & CERTIFICATIONS

IP	IP 65
Certifications	CE / EN 15194 / ROHS / REACH UN 38,3, MSDS

DIMENSIONS



BATTERY OPTIONS

PART NO.	NAME	CAPACITY
W/BACKLIGHT		
50638-BL-C-36V	CAR6/2-XL	11,0Ah, 36V, 396Wh
50774-BL-C-36V	CAR6/2-XL	13,2Ah, 36V, 415Wh
50775-BL-C-36V	CAR6/2-XL	15,6Ah, 36V, 562Wh
50776-BL-C-36V	CAR6/2-XL	17,4Ah, 36V, 626Wh
50774-BL-C-48V	CAR6/2-XL	12,8Ah, 48V, 614Wh
W/HANDLE		
50772-BL-C-36V	CAR6/2-XL	15,6Ah, 36V, 562Wh
50773-BL-C-36V	CAR6/2-XL	17,4Ah, 36V, 626Wh



Promovec A/S
Langdyssen 6
DK-8200 Aarhus N

TEL. +45 7027 2623
FAX. +45 7027 2429
MAIL info@promovec.dk

Promovec[®] 
the e-bike solution