

BY PROMOVEC

CARRIER 6/2 BATTERY

SPECIFICATIONS

Rated voltage	36 V
Com. Protocol	UART
BMS	Smart BMS
Voltage scope (V)	31 - 42V
Charge mode	CC-CV (3 pin Promovec charger)
Operation temperature charge	0°C - 45°C
Backlight	Yes

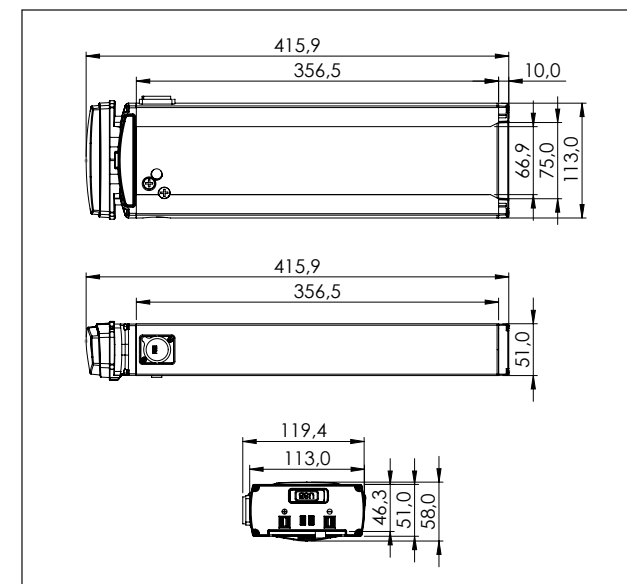
MOUNTING PARAMETER

Position	Carrier
Weight (kg)	2,6 - 3,1
Controller position	Carrier / center
Carrier	Optional
Charger	3 pin Promovec charger

TESTS & CERTIFICATIONS

IP	IP 65
Certifications	CE / EN 15194/ ROHS / REACH UN 38,3, MSDS

DIMENSIONS



BATTERY OPTIONS

Part No.	Name	Capacity
50637-BL-C	CAR6/2	8,8Ah, 36V, 316WH
50663-BL-C	CAR6/2	12,8Ah, 36V, 482WH
51609-BL-C	CAR6/2	10,4Ah, 36V, 374WH



Promovec A/S
Langdyssen 6
DK-8200 Aarhus N

TEL. +45 7027 2623
FAX. +45 7027 2429
MAIL info@promovec.dk

Promovec® 
the e-bike solution